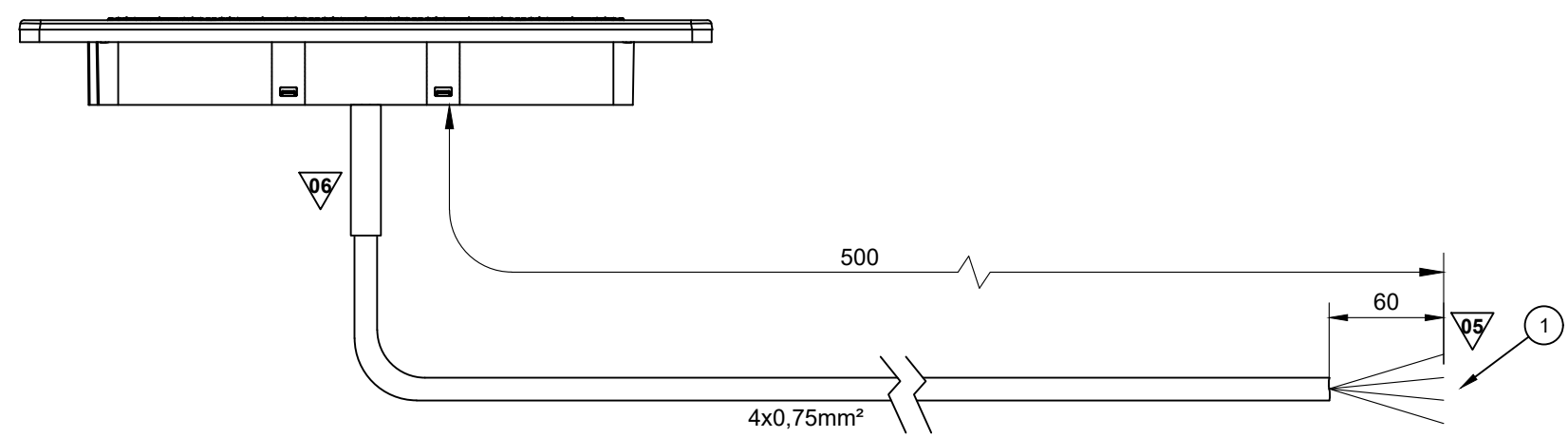
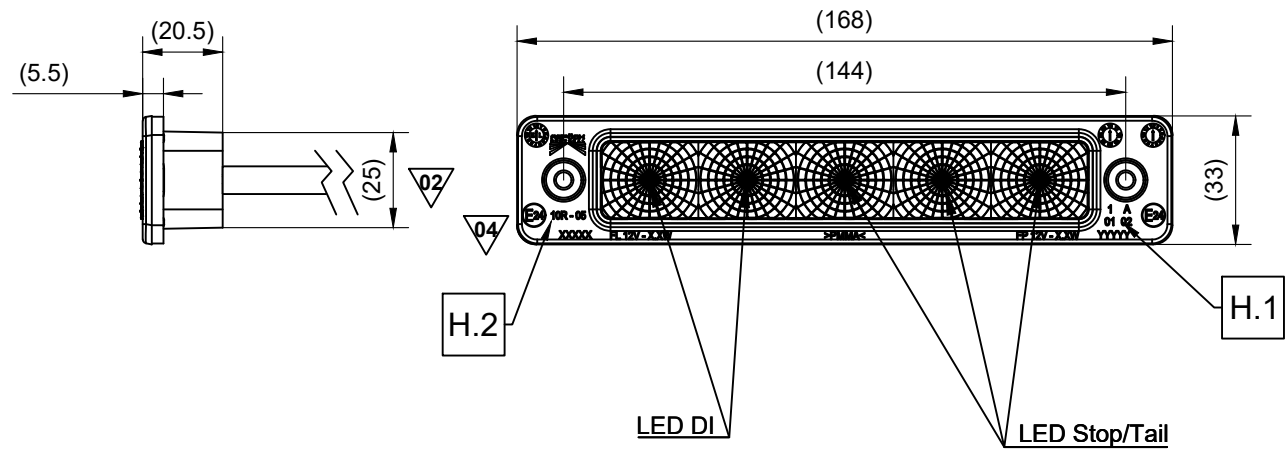
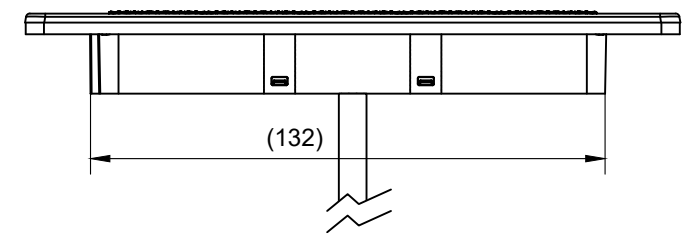


Level	Zone	ECI N°.	Revision note	Date	Designed	Checked
R03	03	8268	Aktualisierung der elektrischen Werte Update of the electrical specifications	2019/10/22	Leiding.S.	Scham.S.
R04	04	9926	Richtigstellung Homologation correction of the homologation number	2020/07/15	Hasling. S	Scham. S
R05	05	11806	Richtigstellung Spannungsbereich / Abmantelung correction voltage range / dismantle	2021/01/04	Wetzlm.G	Dunzin.J
R06	06	11859	Schrumpfschlauch / ADR Logo wurde hinzugefügt shrinking tube / ADR marking has been added	2021/01/14	Leiding. S.	Scham. S.

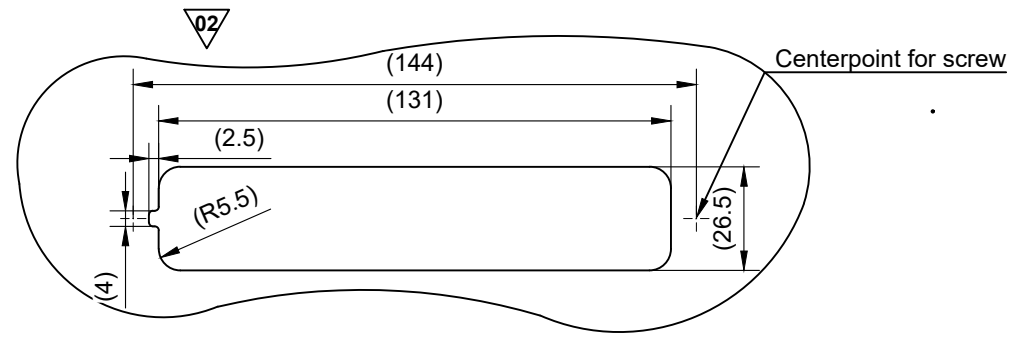


CONNECTOR:		①
function	pin	wire colour
Blinker DI LH	1	gelb yellow
Masse GND	2	weiss white
Rücklicht Tail	3	schwarz black
Bremse Stop	4	rot red

A) Die IP-Klassifizierung IP6K9K gilt nur für die Beleuchtungseinheit
IP-Classification IP6K9K only valid for the lamps



Electrical Specification				
Funktion Function	Nennspannung Nominal Voltage	Spannungsbereich Voltage Range	Nennstrom Nominal Current	Nennleistung Nominal Power
Volt (V)	Volt (V)	Volt (V)	Ampere (A)	Watt (W)
Tail	12V / 24V	8V - 32V	0.02A / 0.01A	0.3W
Stop	12V / 24V	8V - 32V	0.09A / 0.05A	1.1W
Rear DI	12V / 24V	8V - 23V	0.08A / 0.04A	1.0W



Homologation description				
H.1	E24 6145	R1-S1 02	2a 01	
H.2	E24 2080	10R 05		

Asp. Norm AAW075.04 () Auxiliary dimension DIN 406-10		Theoretical dimension ISO 1101	
Test dimension (SPC) [] Unfinished dimension DIN 406-10		Surface quality ISO 1302	
Designed by Klostermann Marcel 2017/08/23		Checked by Strubreiter Daniel 2017/08/24	
Approved by Schamberger Stefan 2017/08/24		DRAFT	
33-7344-017		Designation Posipoint IV - Rear DI + Stop/Tail	
Drawing Nr. 33734401		Project number -	
Business Unit SALES - 12		Tolerance Asp. PAW 100.53b1	
Dimensions in mm		Weight - g	
Part Number		Scale x:x	
Transmittal, reproduction, dissemination and/or editing of this document as well as utilization of its contents and communication there of to others without express authorization are prohibited. Offenders will be held liable for payment of damages. All rights created by patent grant or registration of a utility model or design patent are reserved.		Level R06	
		Sheet 1 / 1	

