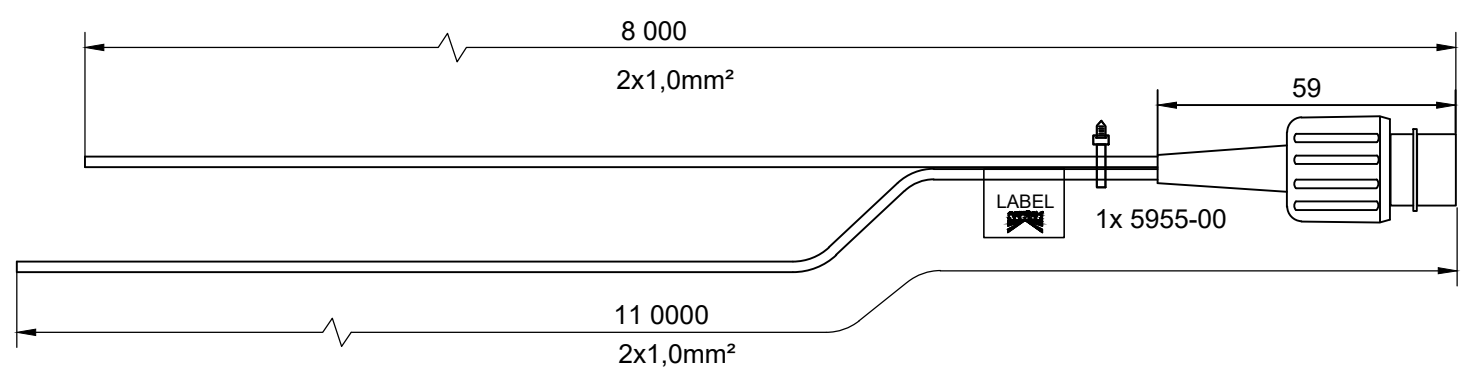


Level	Zone	ECI N°.	Revision note	Date	Designed	Checked



Connection		
FUNCTION	PIN	Colour
GND	1	white
+ VDC	2	brown

Customer Identification number

Asp. Norm QW075.02 / AAW075.04 ( ) Auxiliary dimension DIN 406-10		Theoretical dimension ISO 1101	
○ Test dimension (SPC) [ ] Unfinished dimension DIN 406-10		√ Surface quality ISO 1302	
<b>Designed by</b> Wetzlmaier Gerlinde 2016/06/07		<b>Checked by</b> Beham Gerald 2016/06/07	
<b>Approved by</b> Strubreiter Daniel 2016/06/08		<b>DRAFT</b>	
<b>Designation</b> 2p.ASS2 - Verteilerleitung 11,0m/ 8,0m open end			<b>Project number</b> -
<b>Drawing Nr.</b> 68250503		<b>Tolerance</b> Asp. PAW 100.53b1	<b>Weight</b> - g
<b>Business Unit</b> SALES - 24		<b>Scale</b> x:x	<b>Level</b> R00
<b>Dimensions</b> in mm		<b>Sheet</b> 1 / 1	

