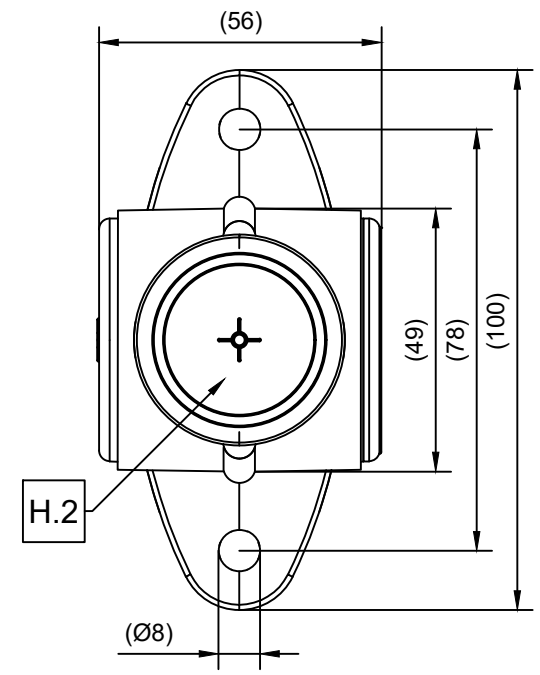
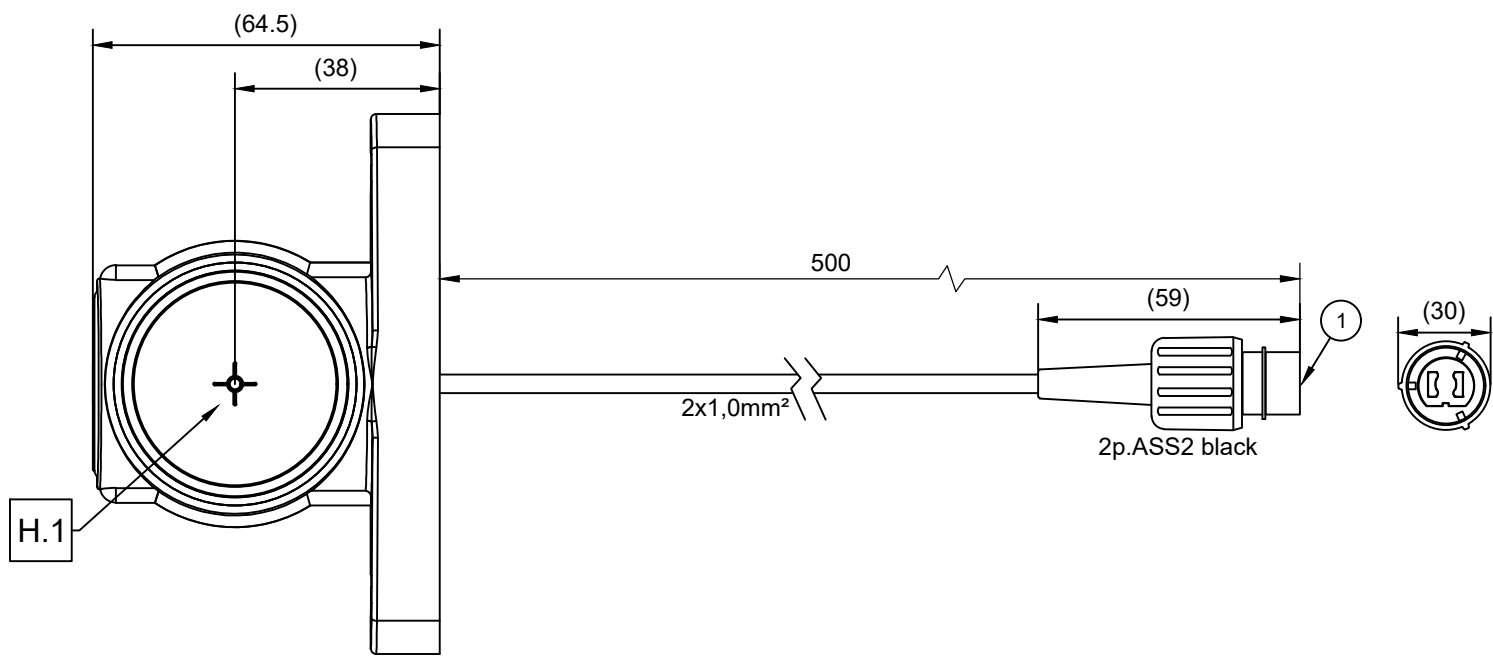
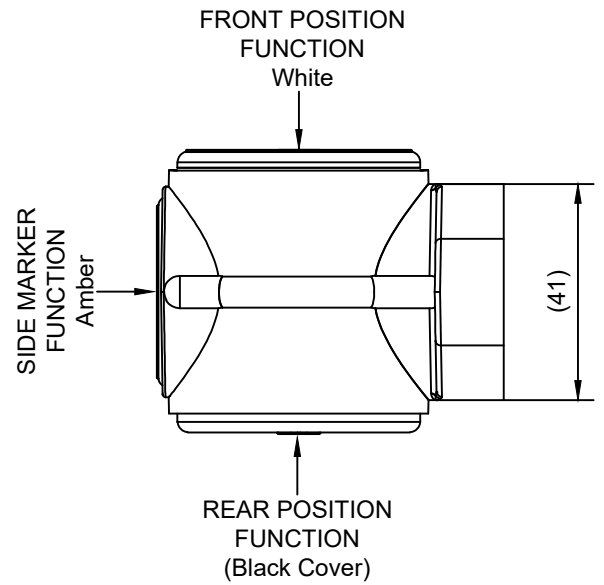


Level	Zone	ECI N°.	Revision note	Date	Designed	Checked



CONNECTOR:		
function	pin	wire colour
Masse GND	1	weiss white
+VDC +VDC	2	braun brown



Electrical Specification				
Funktion Function	Nennspannung Nominal Voltage	Spannungsbereich Voltage Range	Nennstrom Nominal Current	Nennleistung Nominal Power
Volt (V)	Volt (V)	Volt (V)	Ampere (A)	Watt (W)
End outline marker	24V	18V - 32V	0.04A	1W

Homologation description				
H.1	E9 1469	R 02	A 02	
H.2	E9 0972	10R 04		

Asp. Norm AAW075.04 ( ) Auxiliary dimension DIN 406-10  Theoretical dimension ISO 1101  
 Test dimension (SPC) [ ] Unfinished dimension DIN 406-10  Surface quality ISO 1302

<b>Designed by</b> Klostermann Marcel 2019/05/07	<b>Checked by</b> Strubreiter Daniel 2019/05/07	<b>Approved by</b> Holzweber Michael 2019/05/17	<b>DRAFT</b>
<b>Designation</b> Superpoint III B-W-O LED 500mm ASS2 2p.			
<b>Drawing Nr.</b> 31330725		<b>Tolerance</b> Asp. PAW 100.53b1	<b>Weight</b> - g
<b>Business Unit</b> SALES - 24		<b>Scale</b> x:x	<b>Level</b> R01
<b>Project number</b> -			<b>Sheet</b> 1 / 1

Part Number 31-3307-257

Dimensions in mm

Transmittal, reproduction, dissemination and/or editing of this document as well as utilization of its contents and communication thereof to others without express authorization are prohibited. Offenders will be held liable for payment of damages. All rights created by patent grant or registration of a utility model or design patent are reserved.

