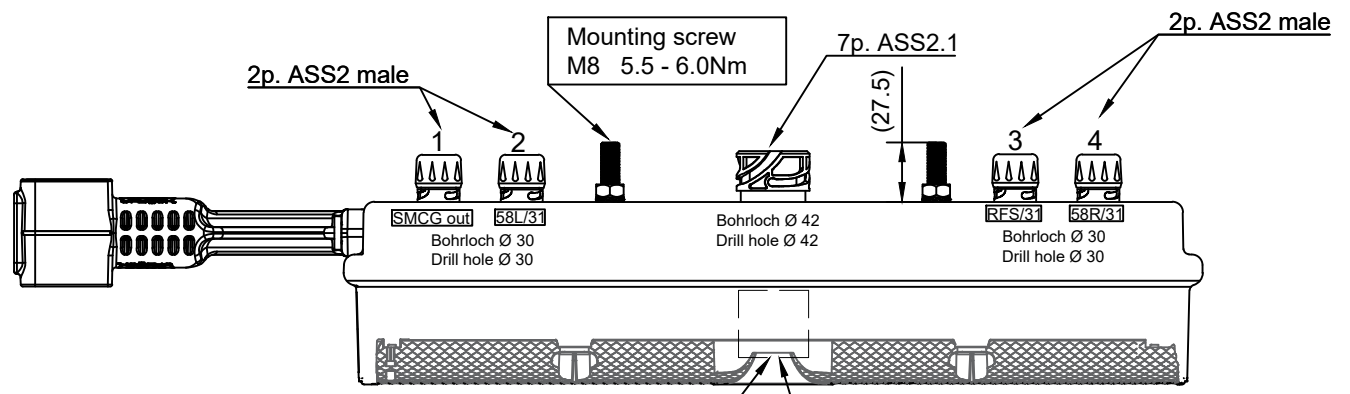
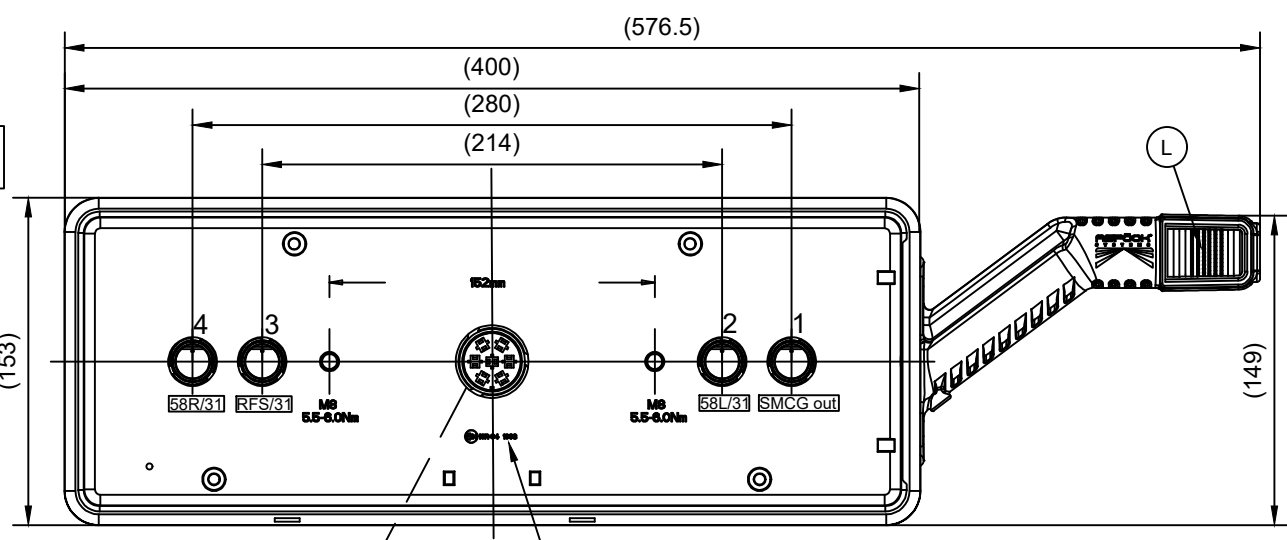
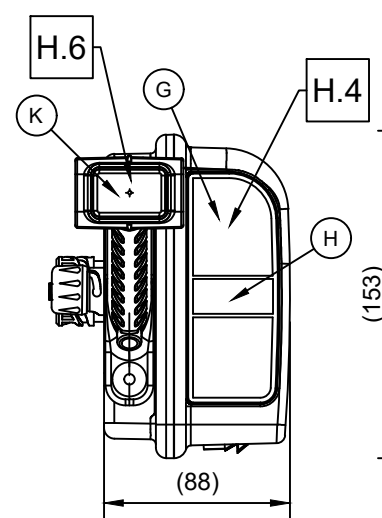
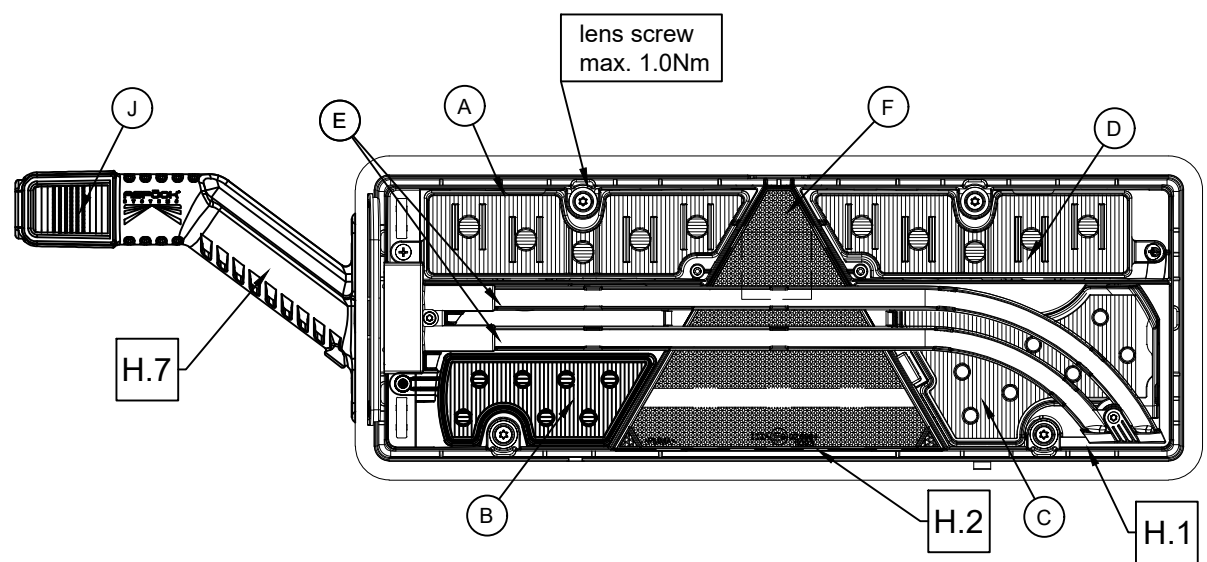
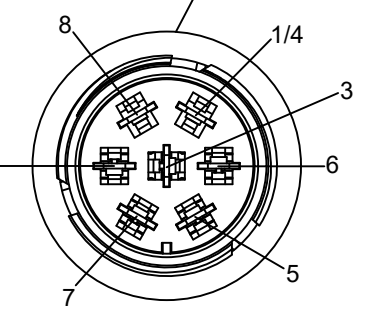


Level	Zone	ECI N°.	Revision note	Date	Designed	Checked



7p. ASS2.1	
FUNCTION	PIN
Blinker LH <i>DI LH</i>	1 / 4
Nebelschl. <i>Fog</i>	2
Masse <i>GND</i>	3
-	5
Bremse <i>Stop</i>	6
Rücklicht LH <i>Tail LH</i>	7
Rückfahr. <i>Reverse</i>	8



Technische Daten zur SMCG:
 Spannungsbereich 10 - 32V
 Strombereich: Ausgangsstrom max. 1A
 Elektronisch Überspannungs- und Überstromgesichert
 Thermische Stromabschaltung am Ausgang bei ca. 1,2A
 (Kurzschlussfest)Verpolungsschutz

Electrical Specification				
Funktion Function	Nennspannung Nominal Voltage	Spannungsbereich Voltage Range	Nennstrom Nominal Current	Nennleistung Nominal Power
Volt (V)	Volt (V)	Volt (V)	Ampere (A)	Watt (W)
DI	24V	10V - 30V	0.16A	4W
Stop	24V	10V - 30V	0.12A	3W
Reverse	24V	10V - 30V	0.16A	4W
Fog	24V	10V - 30V	0.16A	4W
Tail LED light guide	24V	10V - 30V	0.06A	1.5W
End outline marker	24V	10V - 30V	0.12A	3W

SMCG Relais:	
FUNCTION	PIN
Masse <i>GND</i>	GND
Rücklicht. LH <i>Tail LH</i>	Tail in
Blinker LH <i>DI LH</i>	DI in
2p. ASS2 zu 1 <i>2p. ASS2 to 1</i>	SML out

FUNCTION:	
SMCG Ausgang <i>SMCG out</i>	1
Rücklicht. LH <i>Tail LH</i>	2
Rückfahr. <i>Reverse</i>	3
Rücklicht. RH <i>Tail RH</i>	4

FUNCTION:	
Blinker LH LED <i>DI LH LED</i>	A
Bremse LED <i>Stop LED</i>	B
Nebelschl. LED <i>Fog LED</i>	C
Rückfahr. LED <i>Reverse LED</i>	D
Rücklicht LED light guide <i>Tail LED light guide</i>	E
Reflektierendes Dreieck <i>Reflex reflector triangle</i>	F
Reflektor Seitenmarkierung <i>Reflector Sidemarker</i>	G
Seitenmarkierungsleuchte Rot <i>Side marker lamp Red</i>	H
SMCG Relais <i>SMCG Relais</i>	I
Positionslicht rot (Umrissarm) <i>Position light red (rubber arm)</i>	J
Seitenmarkierung orange (Umrissarm) <i>Side marker amber (rubber arm)</i>	K
Positionslicht weiss (Umrissarm) <i>Position light white (rubber arm)</i>	L

Asp. Norm AAW075.04 () Auxiliary dimension DIN 406-10 [] Theoretical dimension ISO 1101
 Test dimension (SPC) [] Unfinished dimension DIN 406-10 √ Surface quality ISO 1302

Designed by: **ASPOCK SYSTEMS** Checked by: Approved by: **ASPOCK MDM APPROVED**

Part Number: 25-7020-757 Designation: Europ. III LED 7p.+4x2p.ASS2+SPIV+SMCG LH Project number: -

Drawing Nr. Business Unit Tolerance: Asp. PAW 100.53b1 Weight: - g Scale: x:x

Dimensions in mm Transmittal, reproduction, dissemination and/or editing of this document as well as utilization of its contents and communication thereof to others without express authorization are prohibited. Offenders will be held liable for payment of damages. All rights created by patent grant or registration of a utility model or design patent are reserved. Level: R01 Sheet: 1 / 1

