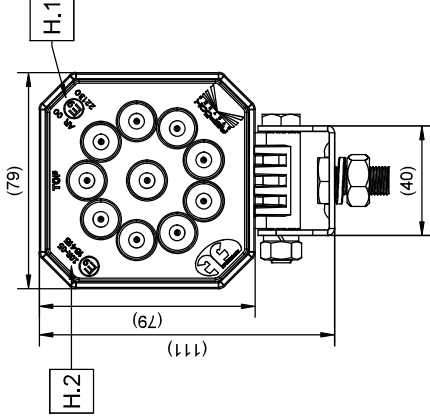
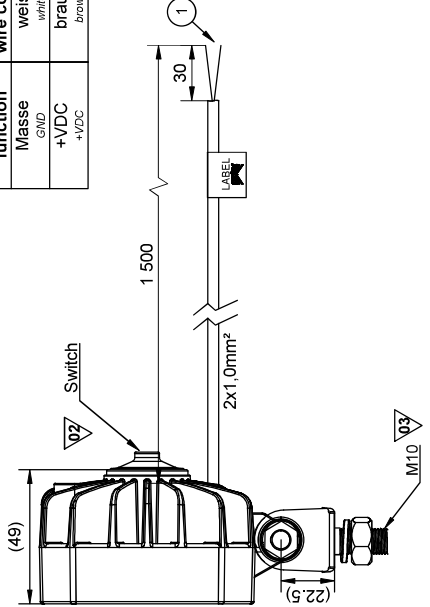
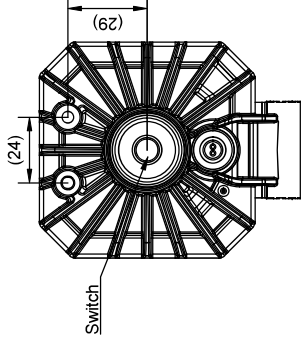


Level	Zone	ECI N°	Revision note	Date	Designed	Checked
R02	02	7838	Richtigstellung der elektrischen Spezifikationen und Schalter Correction of the Electrical Specification and switch	2019/07/12	Kloster. M.	Schmid. D.
R03	03	10971	Richtigstellung der Schraube Correction of the screw	2020/10/12	Leiding. S.	Schmid. D.

CONNECTOR:		①
function	wire colour	weiss white
Masse GND		braun brown
+VDC		
+VDC		



Zubehör / accessories:
1 Stk. Aufhängeteil in PE-Sack

Electrical Specification			
Nennspannung Nominal Voltage	Spannungsbereich Voltage Range	Nennstrom Nominal Current	Nennleistung Nominal Power
Volt (V)	Volt (V)	Ampere (A)	Watt (W)
12V / 24V	10V - 59V	0.96A / 0.49A	11.74W
Work Lamp			

Asp. Norm AA/W075.04 () Auxiliary dimension DIN 406-10 Theoretical dimension ISO 1101
 Test dimension (SPC) [] Unfinished dimension DIN 406-10 Surface quality ISO 1302

Designed by Klostermann Marcel 2019/07/09 | Checked by Strubreiber Daniel 2019/07/09 | Approved by Schmidbauer Dominik 2019/07/09

ASPOCK
 v.t.t.
 MIDIM
 APPROVED

Designation
Working Lamp LED with switch

Drawing Nr.	42100900	Tolerance	Scale
Business Unit	SALES - 24	Asp. PAW 100.53b1	x:X

Part Number: 42-1009-001

Dimensions in mm	Weight	Level	Sheet
	- 9	R03	1 / 1

Project number: -

Transmitting, reproduction, dissemination and/or editing of this document as well as utilization of its contents and communication thereof to others without express authorization are prohibited. Offenders will be held liable for payment of damages. All rights created by patent grant or registration of a utility model or design patent are reserved.

Homologation description	
H.1	E9 AR 22130_00
H.2	E9 10R 16415_05

