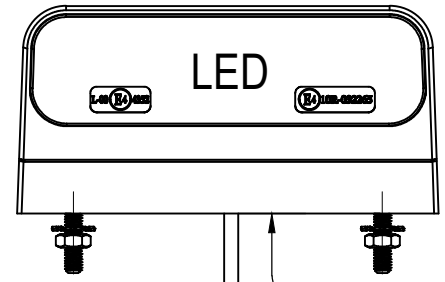
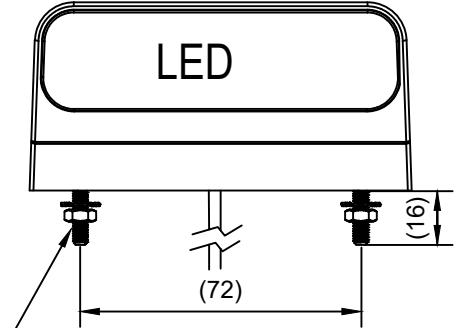
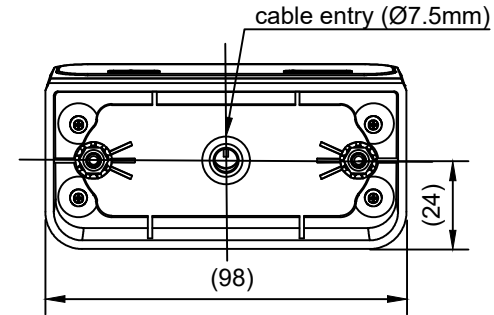
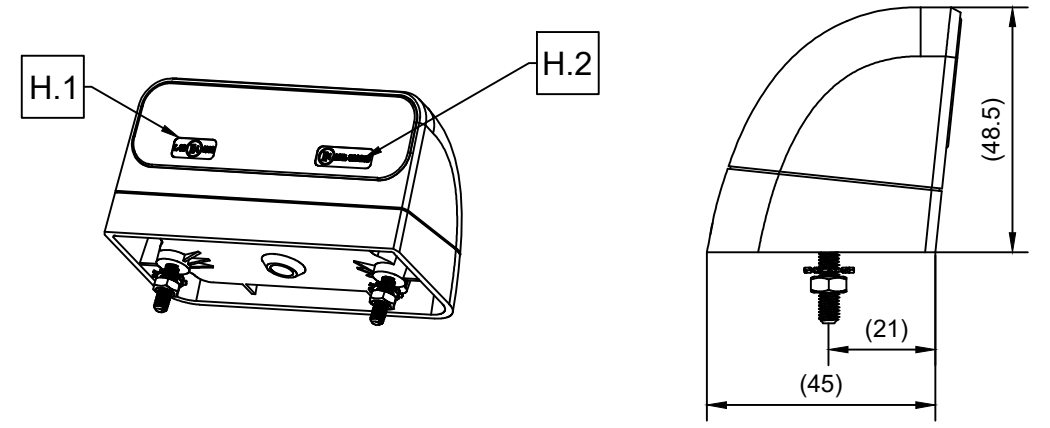
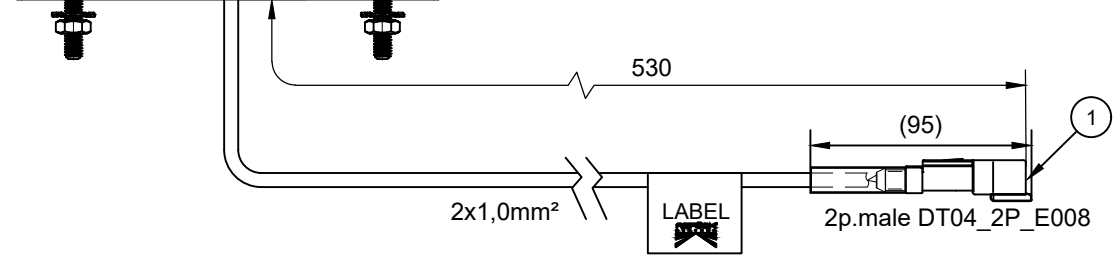


Level	Zone	ECI N°.	Revision note	Date	Designed	Checked



CONNECTOR:		
function	pin	wire colour
+VDC	1	braun brown
Masse GND	2	weiss white



M4
2.5-3.0Nm

Electrical Specification				
Funktion Function	Nennspannung Nominal Voltage	Spannungsbereich Voltage Range	Nennstrom Nominal Current	Nennleistung Nominal Power
Volt (V)	Volt (V)	Volt (V)	Ampere (A)	Watt (W)
license plate light	12V / 24V	9V - 30V	0.04A / 0.004A	0.5W / 1.0W

Homologation description				
H.1	E4 4352	L 00		
H.2	E4 2265	10R 03		



Asp. Norm AAW075.04 () Auxiliary dimension DIN 406-10 Theoretical dimension ISO 1101
 Test dimension (SPC) Unfinished dimension DIN 406-10 Surface quality ISO 1302

Designed by Wetzlmaier Gerlinde 2019/03/19	Checked by Strubreiter Daniel 2019/03/20	Approved by Schamberger Stefan 2019/03/22	DRAFT
Designation Regpoint II LED 0,8mDC with DT04-2P			Project number -
Drawing Nr. 36380007 Business Unit SALES - 12		Tolerance Asp. PAW 100.53b1	Weight - g Scale x:x
Dimensions in mm Transmittal, reproduction, dissemination and/or editing of this document as well as utilization of its contents and communication thereof to others without express authorization are prohibited. Offenders will be held liable for payment of damages. All rights created by patent grant or registration of a utility model or design patent are reserved.			Level R01 Sheet 1 / 1