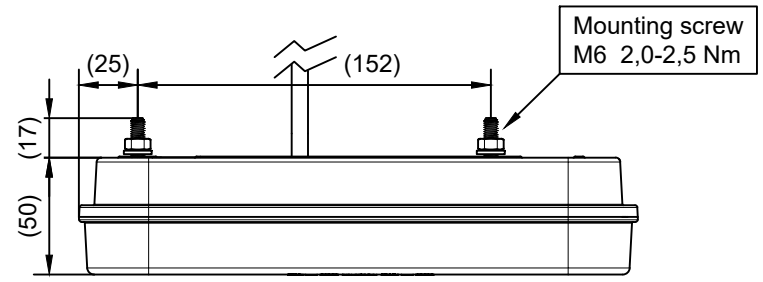
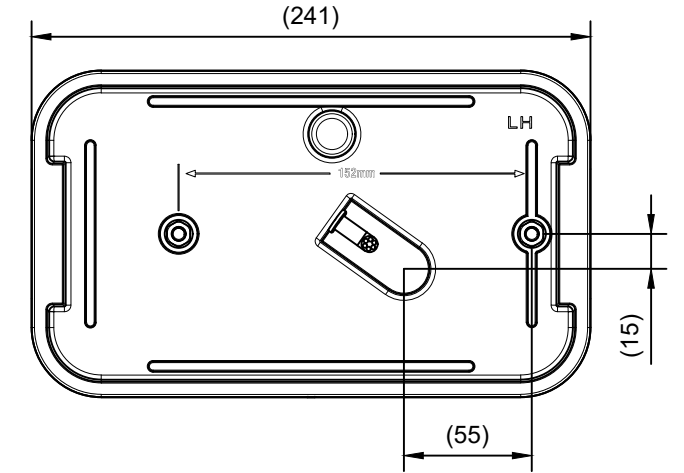
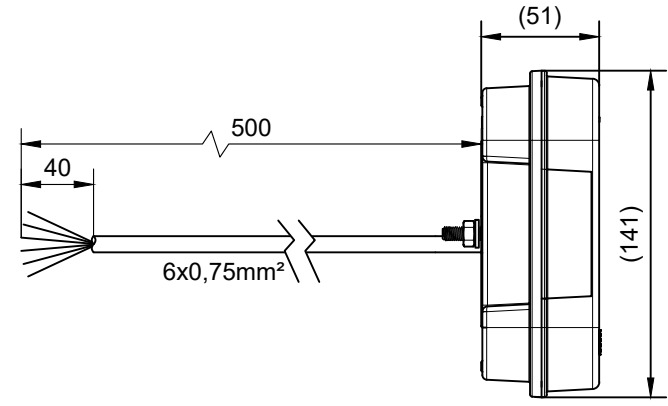
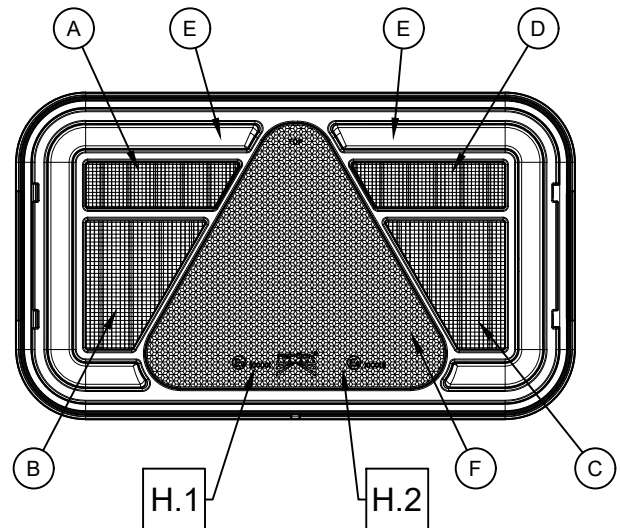


Level	Zone	ECI N°.	Revision note	Date	Designed	Checked



CONNECTOR:	
function	wire colour
Blinker LH <i>DI LH</i>	gelb <i>yellow</i>
Nebelschl. <i>Fog</i>	blau <i>blue</i>
Masse <i>GND</i>	weiss <i>white</i>
Bremse <i>Stop</i>	rot <i>red</i>
Rücklicht LH <i>Tail LH</i>	schwarz <i>black</i>
Rückfahr. <i>Reverse</i>	grau <i>grey</i>

Electrical Specification				
Funktion <i>Function</i>	Nennspannung <i>Nominal Voltage</i>	Spannungsbereich <i>Voltage Range</i>	Nennstrom <i>Nominal Current</i>	Nennleistung <i>Nominal Power</i>
Volt (V)	Volt (V)	Volt (V)	Ampere (A)	Watt (W)
DI	12V / 24V	10V - 30V	0.22A / 0.11A	2.6W
Stop	12V / 24V	10V - 30V	0.12A / 0.06A	1.4W
Tail	12V / 24V	10V - 30V	0.21A / 0.10A	2.5W
Reverse	12V / 24V	10V - 30V	0.18A / 0.09A	2.2W
Fog	12V / 24V	10V - 30V	0.22A / 0.11A	2.6W

Homologation description									
H.1	E9 1364	148R 00	150R 00	S1	R1	2a	AR	L	IIIA
H.2	E9 22837	10R 06							

FUNCTION:	
Blinker LH LED <i>DI LH LED</i>	A
Bremse LED <i>Stop LED</i>	B
Nebelschl. LED <i>Fog LED</i>	C
Rückfahr. LED <i>Reverse LED</i>	D
Rücklicht LH LED <i>Tail LH LED</i>	E
Reflektierendes Dreieck <i>Reflex reflector triangle</i>	F

Asp. Norm AAW075.04 ( ) Auxiliary dimension DIN 406-10 [ ] Unfinished dimension DIN 406-10  Theoretical dimension ISO 1101  Surface quality ISO 1302

Test dimension (SPC)

<b>Designed by</b> Leidinger Sabine	<b>Checked by</b> Strubreiter Daniel	<b>Approved by</b> Oberauer Martin	<b>DRAFT</b>
2021/08/17	2021/08/17	2021/08/17	
<b>Designation</b> MultiLED IV LH 500mm cable Fog/Rev			
<b>Drawing Nr.</b> 34894101	<b>Business Unit</b> SALES - 12	<b>Tolerance</b> Asp. PAW 100.53b1	<b>Project number</b> -
<b>Weight</b> - g	<b>Scale</b> x:x	<b>Level</b> R01	<b>Sheet</b> 1 / 1

Part Number: 34-8941-017

Dimensions in mm

Transmittal, reproduction, dissemination and/or editing of this document as well as utilization of its contents and communication there of to others without express authorization are prohibited. Offenders will be held liable for payment of damages. All rights created by patent grant or registration of a utility model or design patent are reserved.