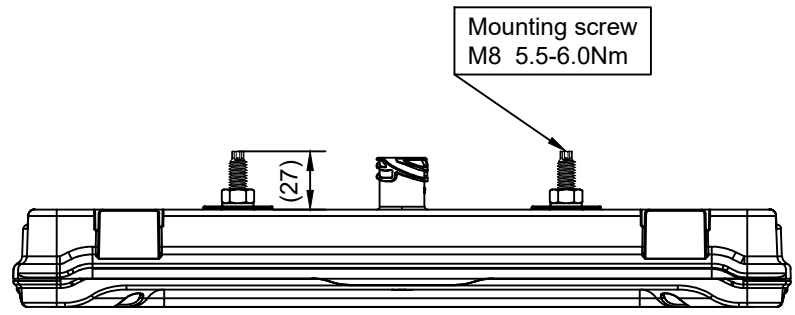
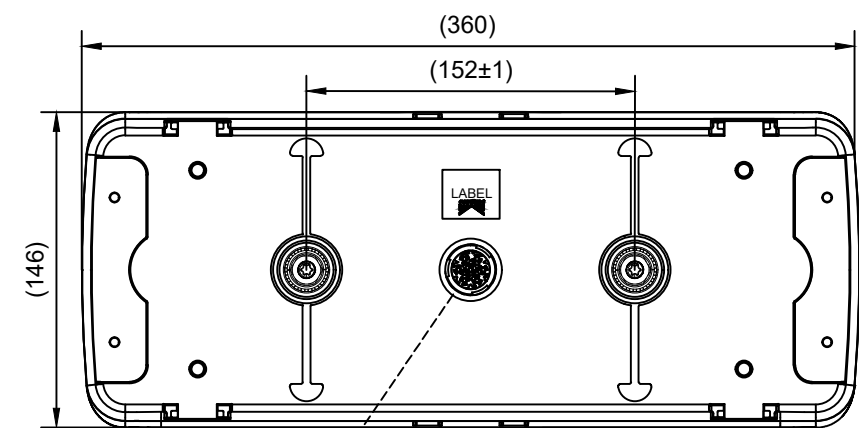
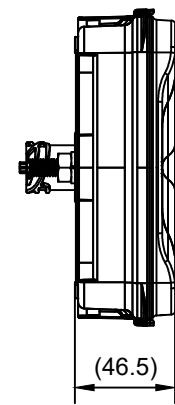
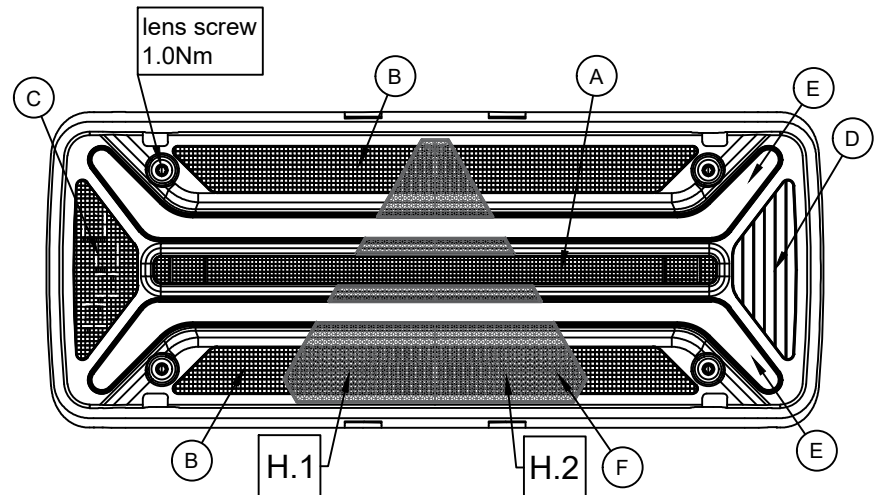
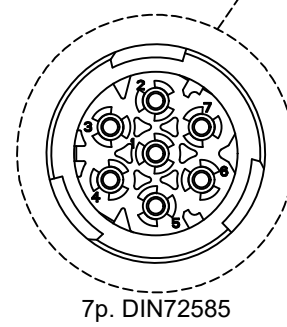


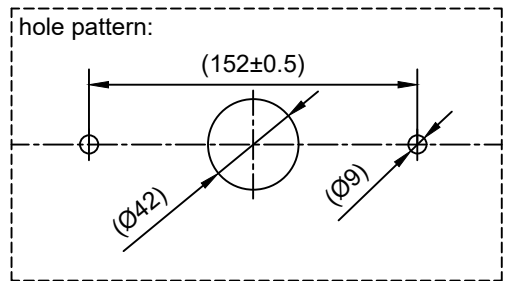
Level	Zone	ECI N°.	Revision note	Date	Designed	Checked



DIN 72585	
FUNCTION	PIN
Masse <i>GND</i>	1
Rücklicht LH <i>Tail LH</i>	2
Rückfahr. <i>Reverse</i>	3
Blinker LH <i>DI LH</i>	4
Bremse <i>Stop</i>	5
Nebelschl. <i>Fog</i>	6
-	7



Electrical Specification				
Funktion <i>Function</i>	Nennspannung <i>Nominal Voltage</i>	Spannungsbereich <i>Voltage Range</i>	Nennstrom <i>Nominal Current</i>	Nennleistung <i>Nominal Power</i>
Volt (V)	Volt (V)	Volt (V)	Ampere (A)	Watt (W)
Progressiv DI	12V / 24V	10V - 30V	0.28A / 0.29A	3.3W / 7W
Stop	12V / 24V	10V - 30V	0.28A / 0.17A	3.3W / 4W
Reverse	12V / 24V	10V - 30V	0.18A / 0.11A	2.1 / 2.6W
Fog	12V / 24V	10V - 30V	0.21A / 0.13A	2.5W / 3.1W
Tail	12V / 24V	10V - 30V	0.27A / 0.17A	3.2W / 4W



Homologation description								
H.1	E9 22480	IA 02	IIIA 02	2a 01	R1 02	S1 02	AR 00	F1 00
H.2	E9 16286	10R 05						

FUNCTION:	
Laufblinker LH LED <i>Progressive DI LH LED</i>	A
Bremse LED <i>Stop LED</i>	B
Nebelschl. LED <i>Fog LED</i>	C
Rückfahr. LED <i>Reverse LED</i>	D
Rücklicht LED <i>Tail LED</i>	E
Reflektierendes Dreieck <i>Reflex reflector triangle</i>	F

Asp. Norm AAW075.04 () Auxiliary dimension DIN 406-10 Theoretical dimension ISO 1101
 Test dimension (SPC) [] Unfinished dimension DIN 406-10 Surface quality ISO 1302

Designed by Klostermann Marcel 2018/09/25 **Checked by** Strubreiter Daniel 2018/10/08 **Approved by** Enzlmüller Manuel 2018/10/09

ASPOCK SYSTEMS Designation: Ecoled II-LH AMP 7pin
Drawing Nr. 25412103 **Business Unit** SALES - 24

DRAFT Project number 1165

Weight 1300 g **Scale** x:x
Level R01 **Sheet** 1 / 1

Transmittal, reproduction, dissemination and/or editing of this document as well as utilization of its contents and communication thereof to others without express authorization are prohibited. Offenders will be held liable for payment of damages. All rights created by patent grant or registration of a utility model or design patent are reserved.

