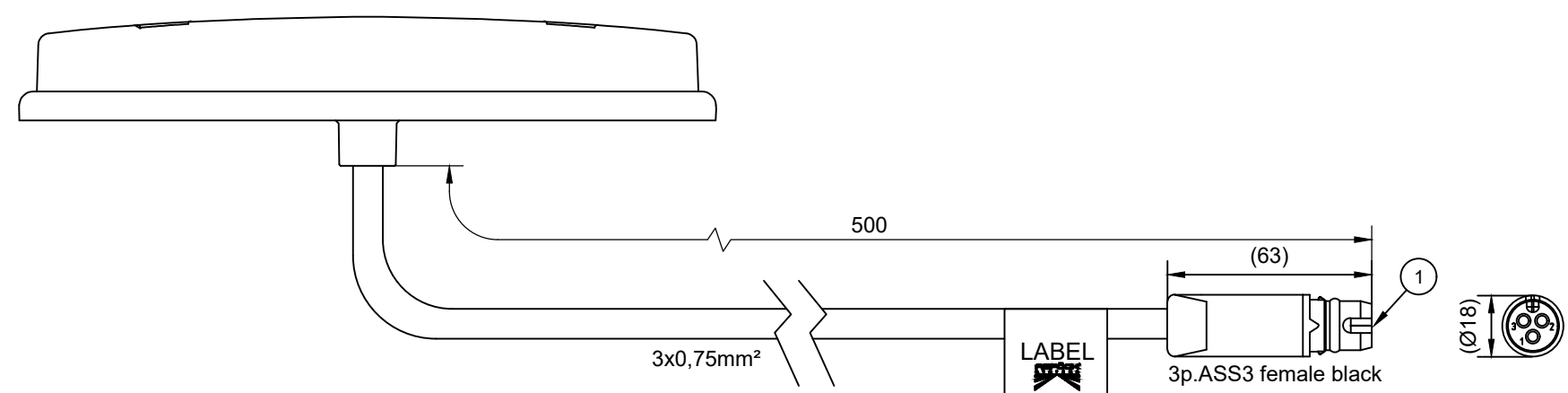
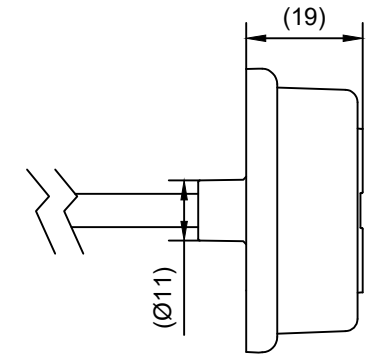
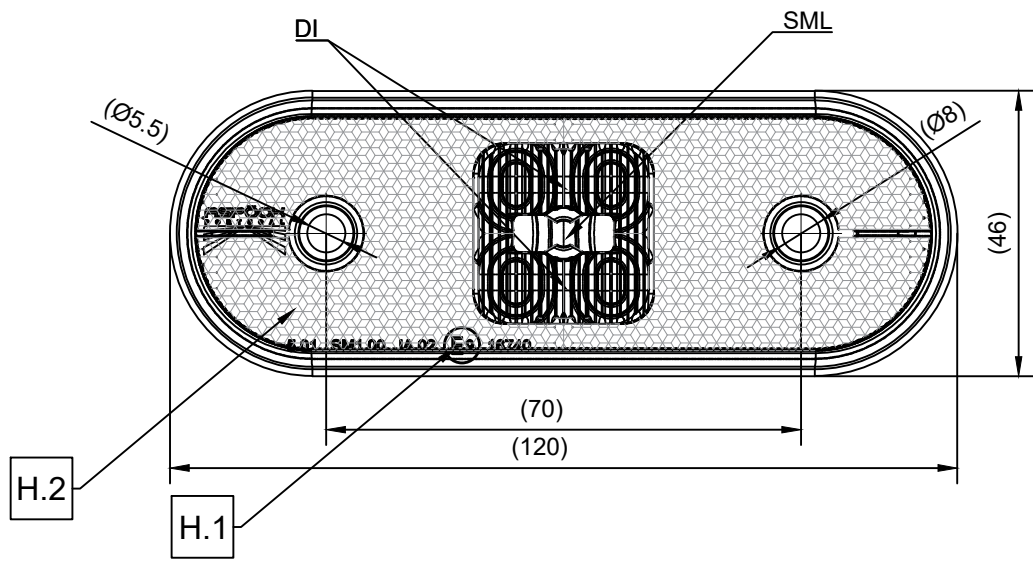


Level	Zone	ECI N°.	Revision note	Date	Designed	Checked
R02	02	7719	Richtigstellung correction	2019/06/17	Wetzlm.G	Grüne.G



CONNECTOR:		①
function	pin	wire colour
Masse GND	1	weiss white
SML SML	2	braun brown
Blinker DI	3	blau blue



Electrical Specification				
Funktion Function	Nennspannung Nominal Voltage	Spannungsbereich Voltage Range	Nennstrom Nominal Current	Nennleistung Nominal Power
Volt (V)	Volt (V)	Volt (V)	Ampere (A)	Watt (W)
SML	24V	18V - 32V	0.05A	1.1W
DI	24V	18V - 32V	0.03A	0.6W

Homologation description				
H.1	E9 16740	SM1 00	IA 02	5 01
H.2	E24 2211	10R 05		

Asp. Norm AAW075.04 () Auxiliary dimension DIN 406-10 Theoretical dimension ISO 1101
 Test dimension (SPC) [] Unfinished dimension DIN 406-10 Surface quality ISO 1302

Designed by Klostermann Marcel	Checked by Strubreiter Daniel	Approved by Holzweber Michael	DRAFT
2019/05/07	2019/05/07	2019/05/17	

Designation
Unipoint SML+DI 500mm ASS3 3p.

Drawing Nr. 31210704 **Tolerance** Asp. PAW 100.53b1 **Weight** - g **Scale** x:X

Business Unit SALES - 24 **Level** R02 **Sheet** 1 / 1

Part Number 31-2107-047 **Dimensions in mm**

Transmittal, reproduction, dissemination and/or editing of this document as well as utilization of its contents and communication thereof to others without express authorization are prohibited. Offenders will be held liable for payment of damages. All rights created by patent grant or registration of a utility model or design patent are reserved.

