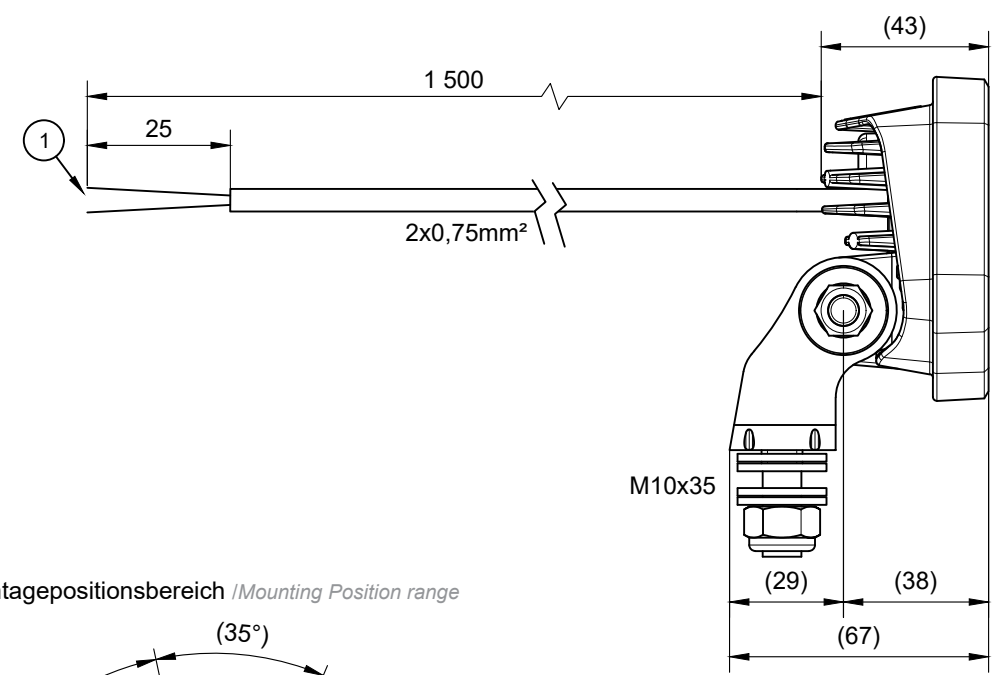
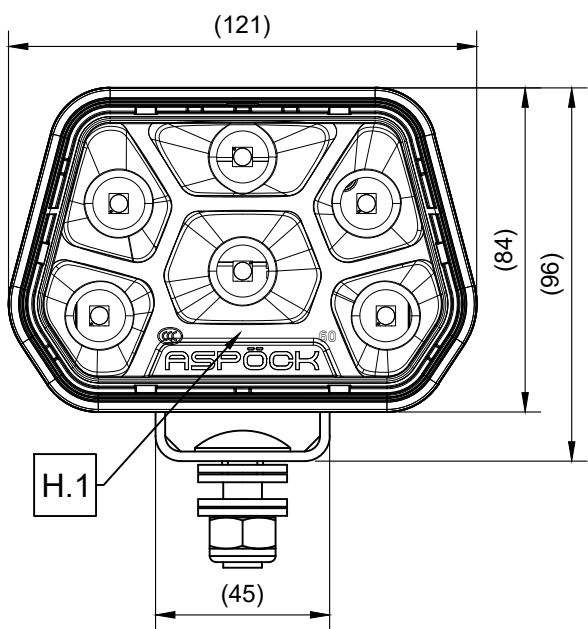
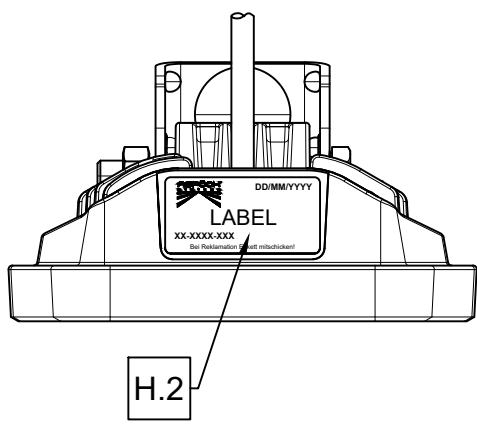
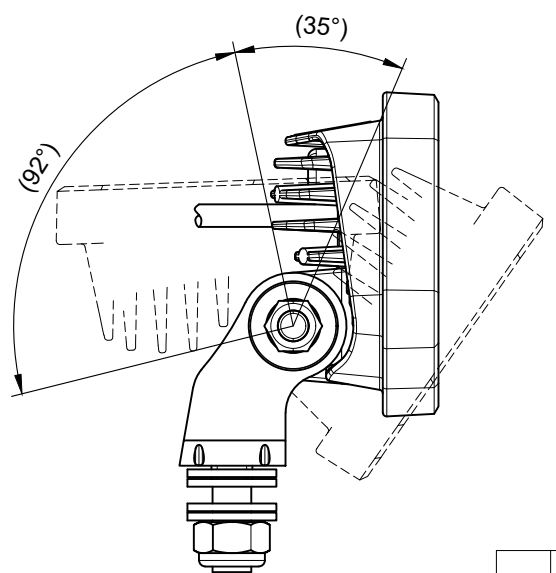


Level	Zone	ECI N°.	Revision note	Date	Designed	Checked

CONNECTOR:		①
function	wire colour	
Masse GND	weiss white	
+VDC +VDC	braun brown	



Montagepositionsbereich / Mounting Position range



Electrical Specification				
Funktion Function	Nennspannung Nominal Voltage	Spannungsbereich Voltage Range	Nennstrom Nominal Current	Nennleistung Nominal Power
Volt (V)	Volt (V)	Volt (V)	Ampere (A)	Watt (W)
Workpoint II	12V / 24V	10V - 33V	0.95A / 0.5A	12W

Homologation description				
H.1	E24 0002	148R 00	AR	CCC
H.2	E24 3221	R10 06		

Asp. Norm AAW075.04 () Auxiliary dimension DIN 406-10 [] Unfinished dimension DIN 406-10 Theoretical dimension ISO 1101 Surface quality ISO 1302

Test dimension (SPC)

Designed by Leidinger Sabine	Checked by Strubreiter Daniel	Approved by Schamberger Stefan	ASPÖCK MDM APPROVED
Designation Workpoint II 1500lm 60°1,5m	Drawing Nr. 38852400	Tolerance Asp. PAW 100.53b1	Project number -
Business Unit SALES - 12	Weight - g	Scale x:x	Level R01
Dimensions in mm	Sheet 1 / 1	<small>Transmittal, reproduction, dissemination and/or editing of this document as well as utilization of its contents and communication there of to others without express authorization are prohibited. Offenders will be held liable for payment of damages. All rights created by patent grant or registration of a utility model or design patent are reserved.</small>	