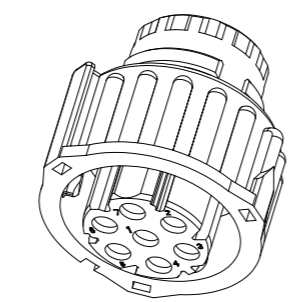
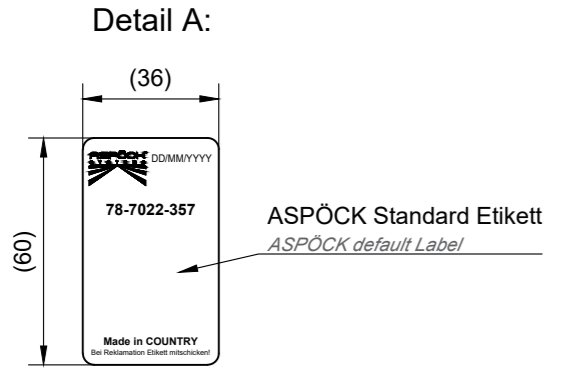
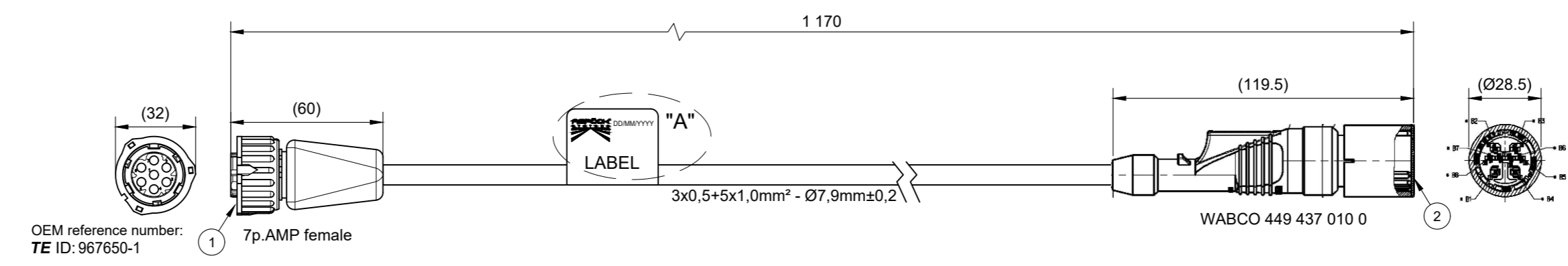


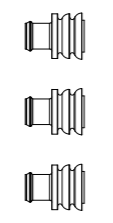
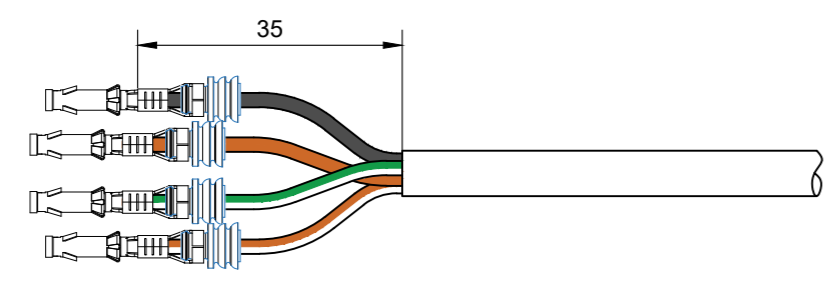
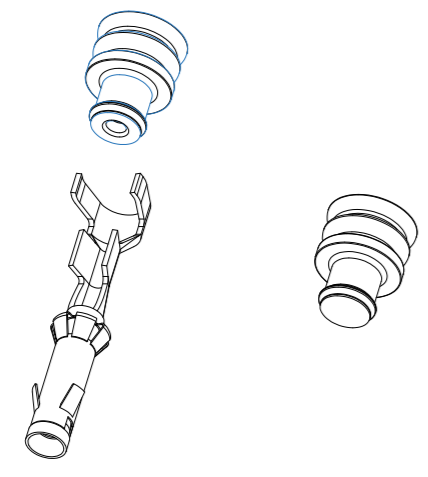
Level	Zone	ECI N°.	Revision note	Date	Designed	Checked



CONNECTOR:	①	
function	pin	wire colour
NO FUNCTION	1	-
+VDC Bat	2	weiss/braun white/brown
NO FUNCTION	3	-
NO FUNCTION	4	-
Masse GND	5	schwarz black
CAN Low	6	weiss/grün white/green
CAN High	7	braun brown



CONNECTOR:	②		mm²
function	pin	wire colour	wire section
+VDC Bat	1	weiss/braun white/brown	1.0
CAN High	2	braun brown	1.0
CAN Low	3	weiss/grün white/green	1.0
Masse GND	4	schwarz black	0.5
NO FUNCTION	5	violett violet	0.5
NO FUNCTION	6	weiss white	0.5
NO FUNCTION	7	gelb yellow	1.0
NO FUNCTION	8	grün green	1.0



CP_03-0_Bemaßungsrichtlinie ()	Auxiliary dimension DIN 406-10	<input type="checkbox"/>	Theoretical dimension ISO 1101
<input type="checkbox"/>	Test dimension (SPC)	<input type="checkbox"/>	Unfinished dimension DIN 406-10
<input type="checkbox"/>	<input type="checkbox"/>	<input checked="" type="checkbox"/>	Surface quality ISO 1302
Designed by	Checked by	Approved by	
Leidinger Sabine	2023/10/17 Strubreiter Daniel	2023/10/17 Enzlmüller Manuel	2023/10/17
78-7022-357 	Designation		Project number
	TPMS Wabco EBS3 - K1.2 1m		1237
	Drawing Nr. 78702235	Tolerance	Weight
Business Unit SALES - 24	CP_04-2_Toleranzen Verkabelungsprodukte	-	not in scale
<small>Transmittal, reproduction, dissemination and/or editing of this document as well as utilization of its contents and communication thereof to others without express authorization are prohibited. Offenders will be held liable for payment of damages. All rights created by patent grant or registration of a utility model or design patent are reserved.</small>			Level
<small>Part Number</small>			R01
<small>Dimensions in mm</small>			Sheet
<small>AZ - AutoCAD 2023 / CP_03-0_Zeichnungsblatt Beschreibung</small>			1 / 1

