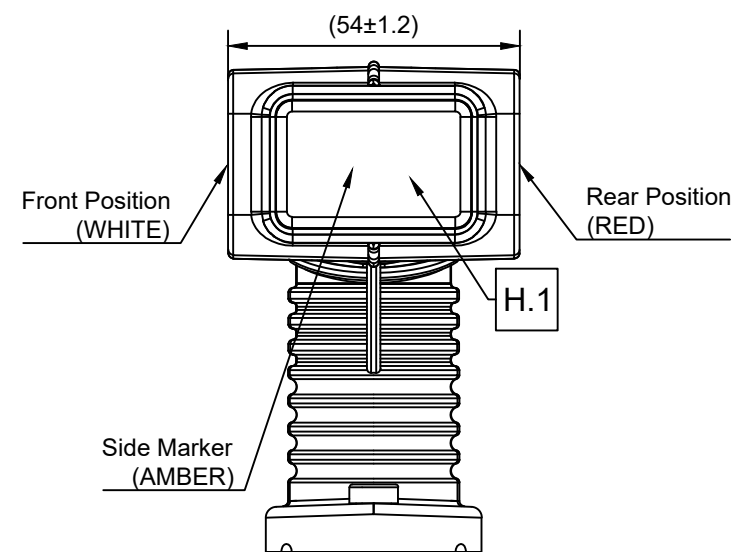
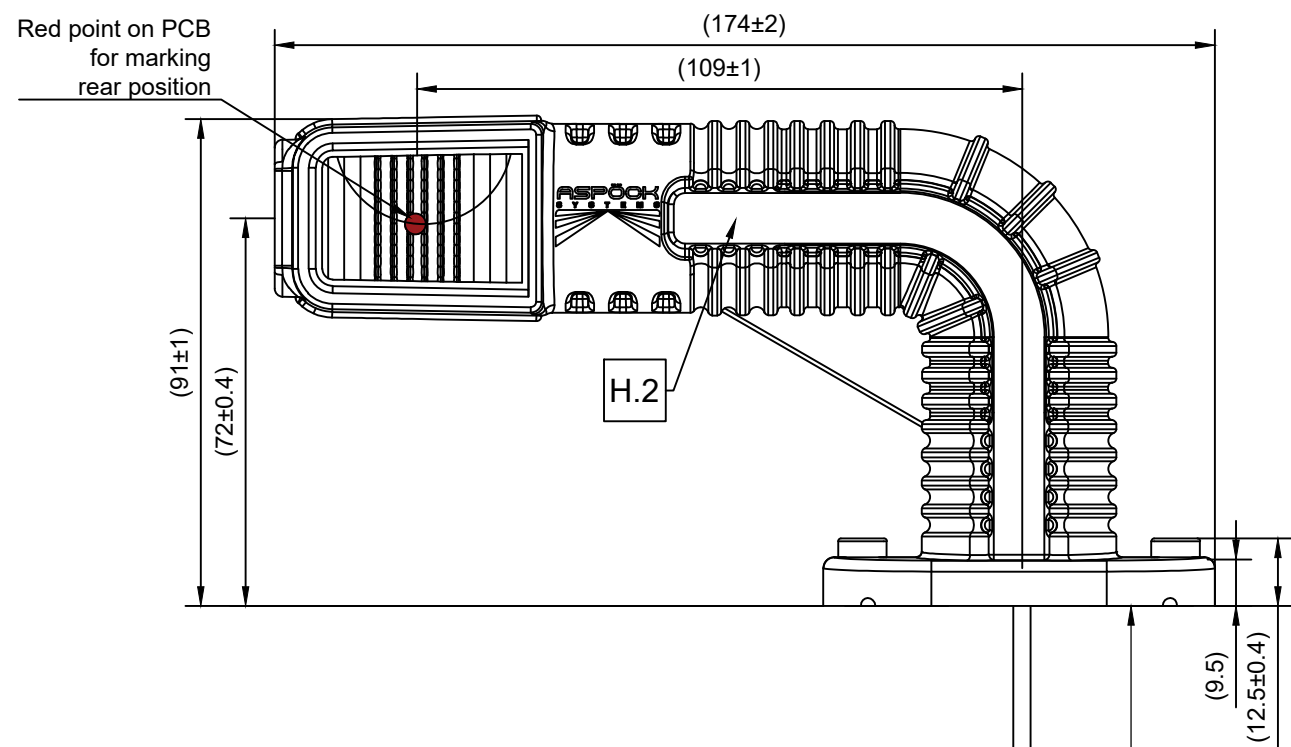
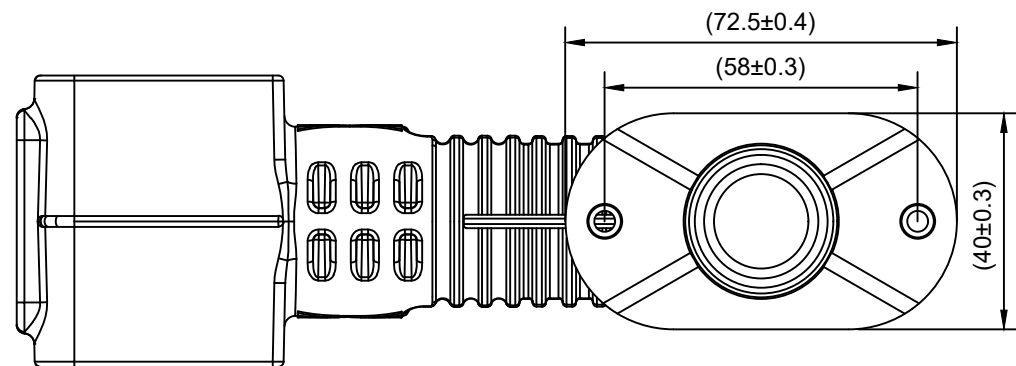


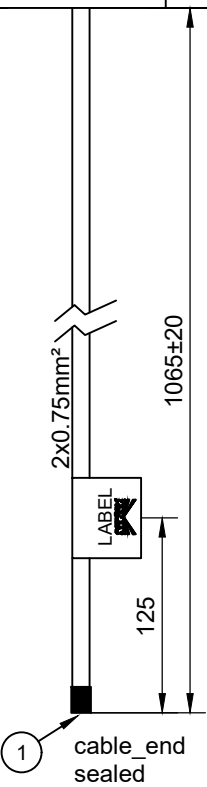
Level	Zone	ECI N°.	Revision note	Date	Designed	Checked
R02	02	5972	Richtigstellung der Homologation, Projekt Nummer hinzugefügt correction of the homologation, project number added	2018/05/22	Kloster.M.	Dunz. J.



CONNECTOR:		①
function	pin	wire colour
Masse GND	1	weiss white
+VDC +VDC	2	braun brown

Electrical Specification				
Funktion Function	Nennspannung Nominal Voltage	Spannungsbereich Voltage Range	Nennstrom Nominal Current	Nennleistung Nominal Power
Volt (V)	Volt (V)	Volt (V)	Ampere (A)	Watt (W)
Side / Front / Back Position	12V	10V - 30V	0.5A	1.5W
Side / Front / Back Position	24V	10V - 30V	0.5A	3W

Homologation description				
H.1	E9 6878	SM1 00	A 02	R1 02
H.2	E9 6765	10R 05		



Asp. Norm AAW075.04 () Auxiliary dimension DIN 406-10 Theoretical dimension ISO 1101
 Test dimension (SPC) [] Unfinished dimension DIN 406-10 Surface quality ISO 1302

Designed by Klostermann Marcel	Checked by Strubreiter Daniel	Approved by Oberauer Martin	Project number 0113
Designation SP IV LED bracket 90° RD/WH/OR LH	Drawing Nr. 31310913	Tolerance Asp. PAW 100.53b1	Weight - g
Business Unit SALES - 12	Scale x:x	Level R02	Sheet 1 / 1

31-3109-137

Part Number

Dimensions in mm

Transmittal, reproduction, dissemination and/or editing of this document as well as utilization of its contents and communication thereof to others without express authorization are prohibited. Offenders will be held liable for payment of damages. All rights created by patent grant or registration of a utility model or design patent are reserved.